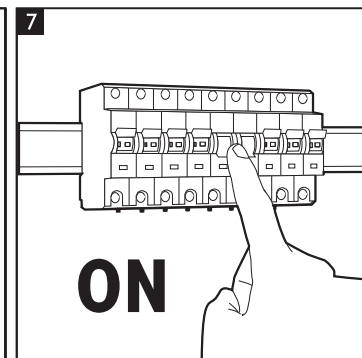
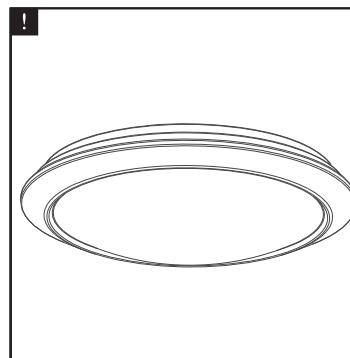
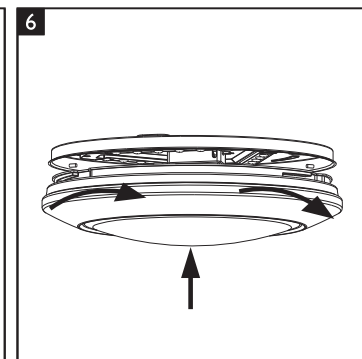
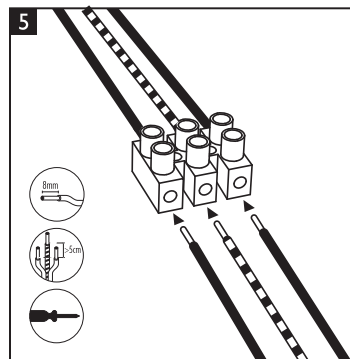
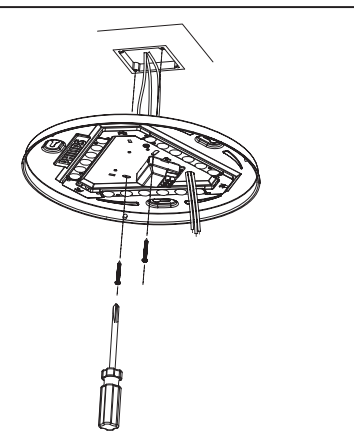
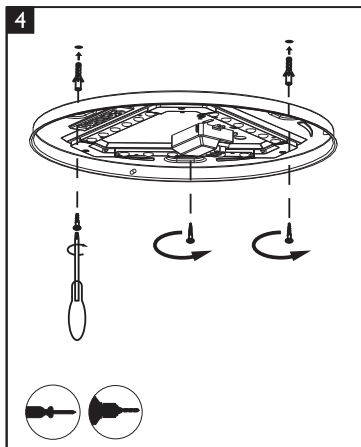
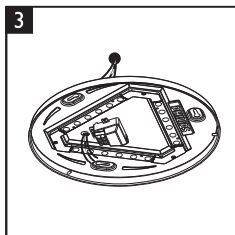
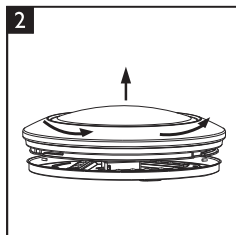
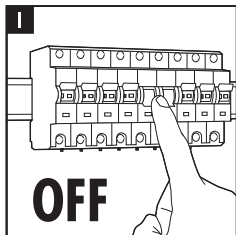
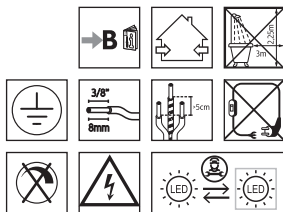


front

back

# PHILIPS

## Cinnabar



**E** 9150049872 9150049873

**F** 9150045708 9150045709

Philips and the Philips shield emblem are registered trademarks of Koninklijke Philips N.V.

Signify  
I.B.R.S. / C.C.R.I. Numéro 10461  
5600 VB Eindhoven, the Netherlands  
www.philips.com/lighting

Signify Commercial UK Limited  
Unit 3, Guildford Business Park,  
Guildford, Surrey, GU2 8XG, UK

© 2021 Signify Holding

©ignify



3241 657 64621

Last update: 29/01/21

size: 105mmx148mm